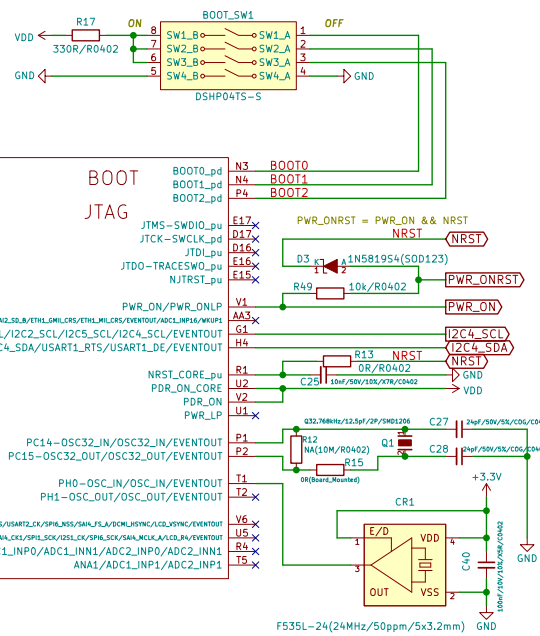
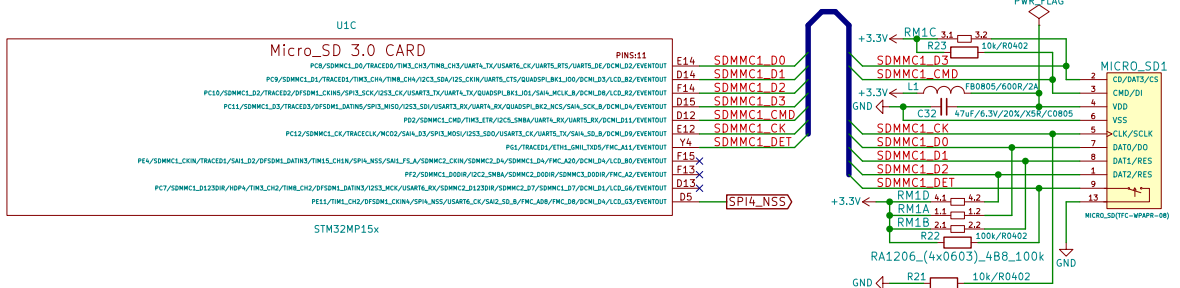


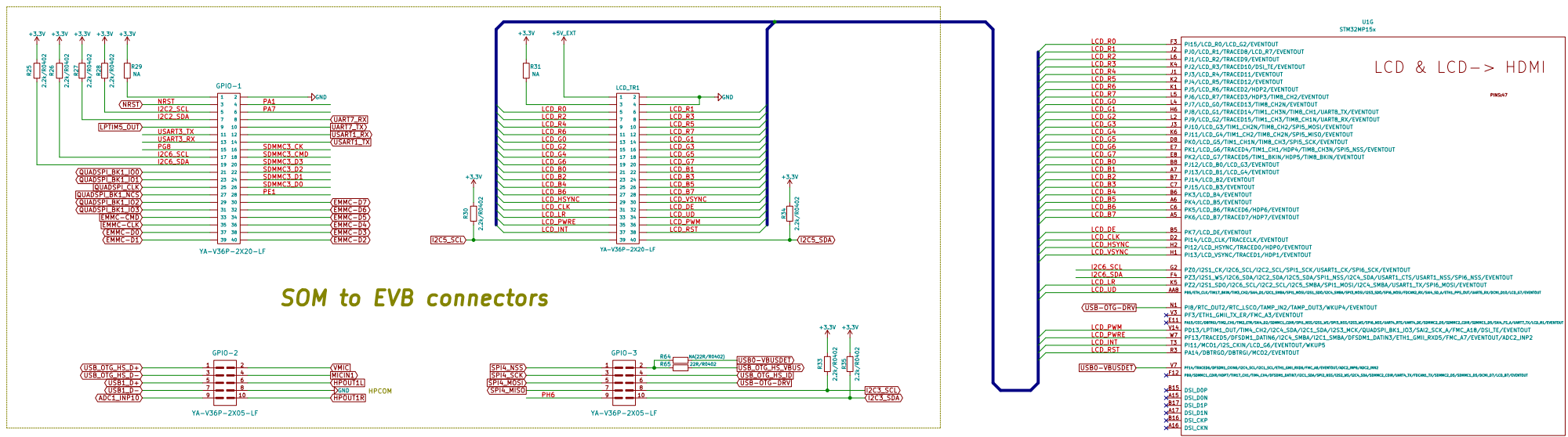
Boot Mode	Boot2	Boot1	Boot0
Reserved	0	0	0
NOR	0	1	1
NAND	1	1	1
eMMC	0	1	0
SD-Card	1	0	1
Forced UART/USB	1	1	0
Boot	0	1	0



# T-Card

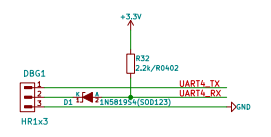
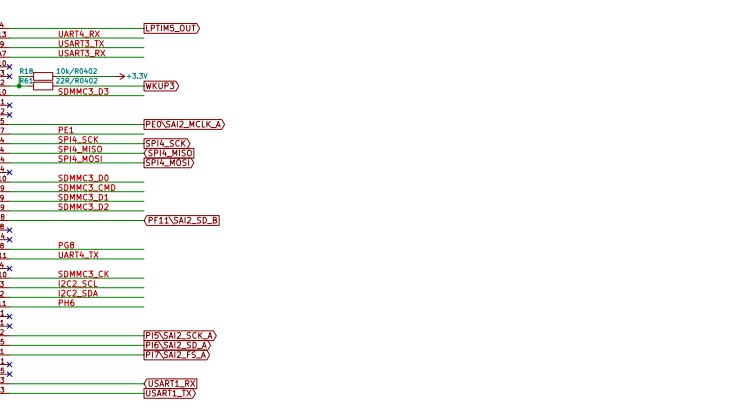


<https://www.olimex.com/>  
**OLIMEX LTD, Bulgaria**  
 Sheet: /T-Card/  
 File: T-Card.sch  
**Title: STMP1-SOM**  
 Size: A3 | Date: 2024-04-17 | Rev: E  
 KiCad E.D.A. kicad 5.1.4-e60b26684ubuntu18.04.1 | Id: 2/5

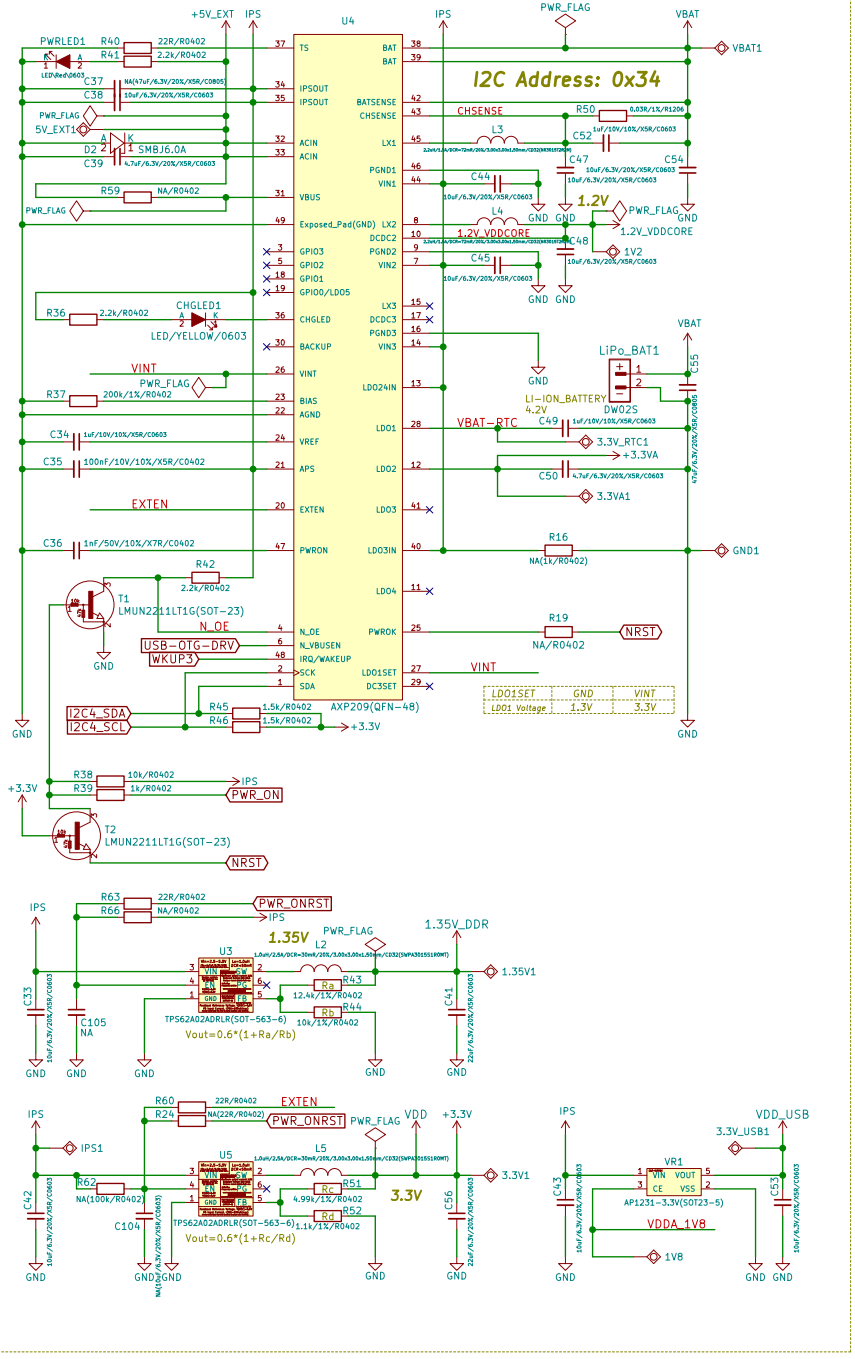


## SOM to EVB connectors

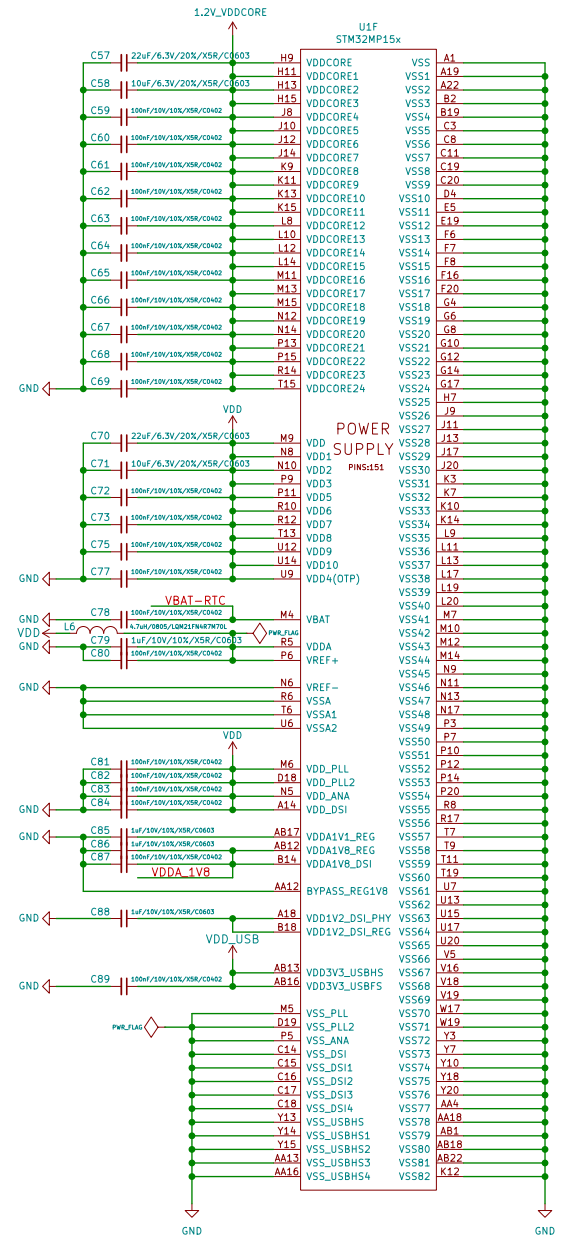
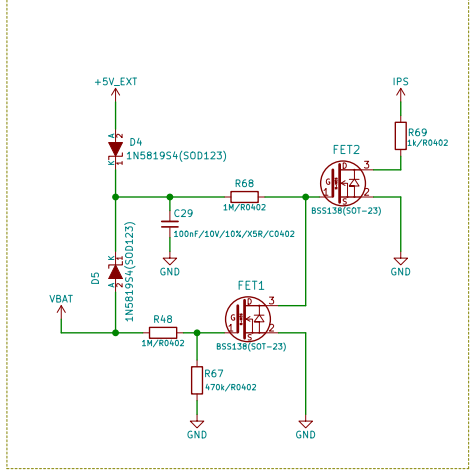
## Debug UART



# Power Supply



# IPS Discharge Circuit



### Fiducials:

- FID1 Fiducial
- FID2 Fiducial
- FID3 Fiducial
- FID4 Fiducial
- FID5 Fiducial
- FID6 Fiducial



<https://www.olimex.com/>  
**OLIMEX LTD, Bulgaria**  
 Sheet: /Power\_Supply/  
 File: Power\_Supply.sch  
**Title: STMP1-SOM**  
 Size: A3 Date: 2024-04-17 Rev: E  
 KiCad E.D.A. kicad 5.1.4-e60b26684ubuntu18.04.1 Id: 4/5

