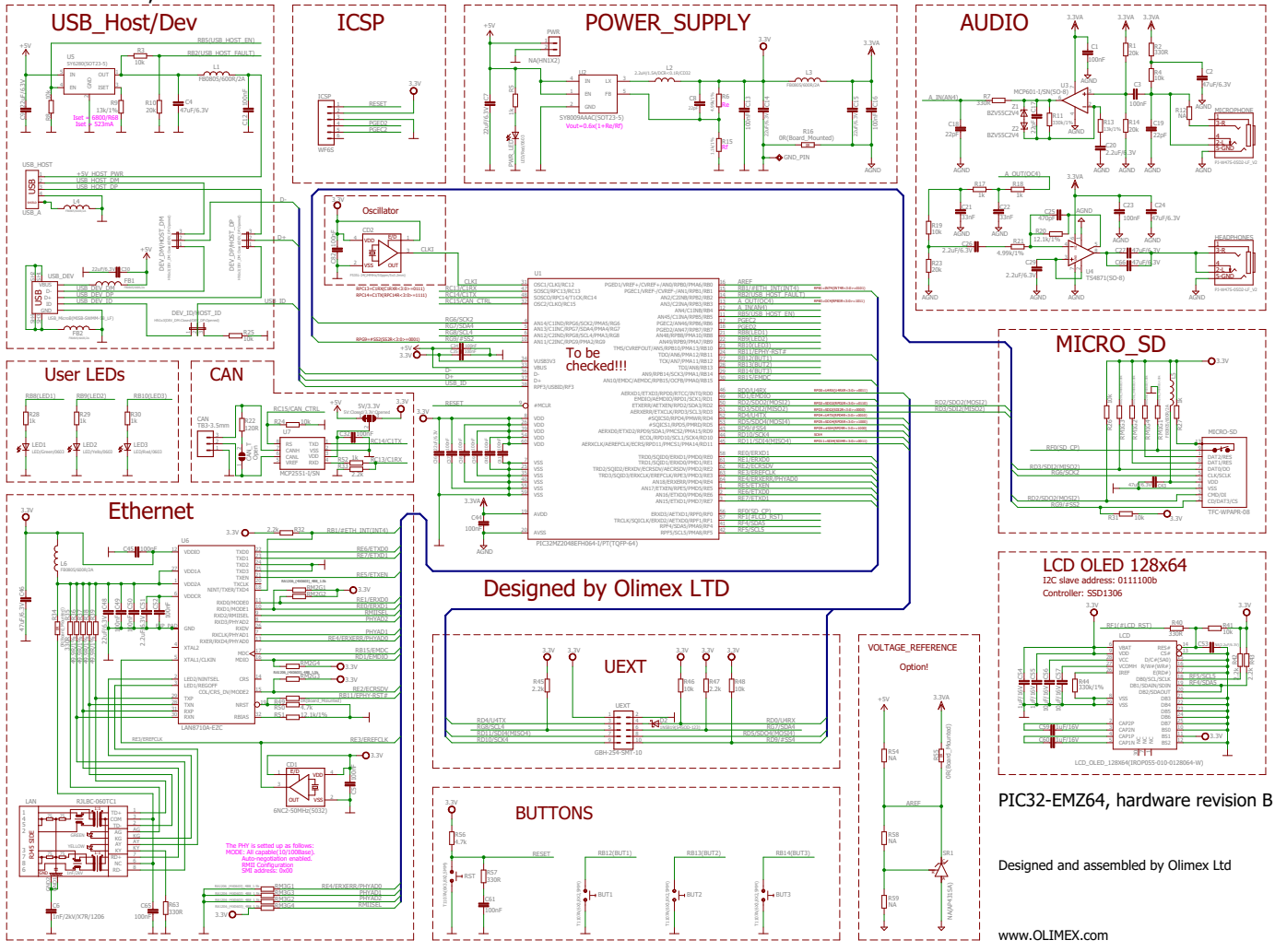
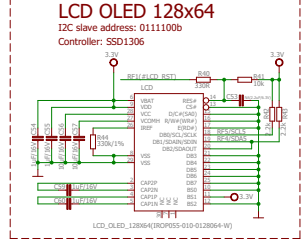


# PIC32-EMZ64, hardware revision B



Designed by Olimex LTD



PIC32-EMZ64, hardware revision B

Designed and assembled by Olimex Ltd

www.OLIMEX.com