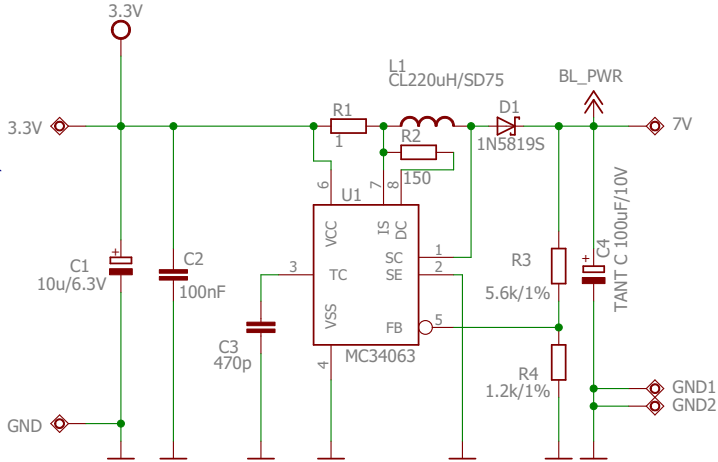
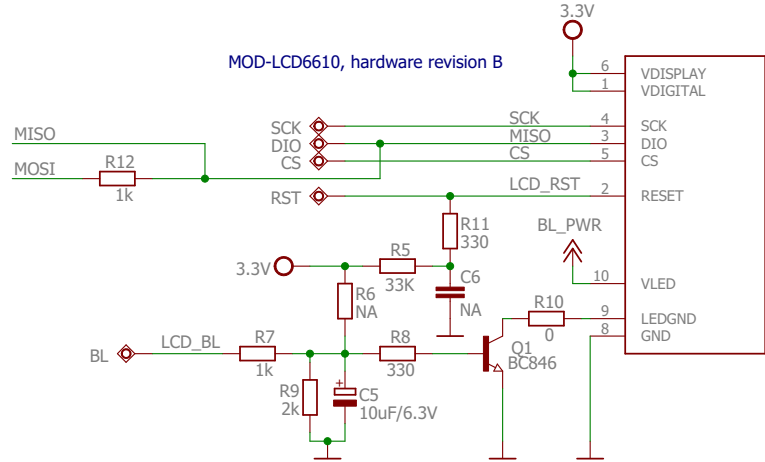


MOD-LCD6610, hardware revision B



MOD-LCD6610, hardware revision B



MOD-LCD6610, hardware revision B

Changes in revision B:

1. R1 changed from 2.2 to 1
2. Changed white print: added Olimex logos, ESD symbol, ROHS, no BIN, no PB sign.
3. Changed white print: rev.A to rev.B, and (C)2007 to (C)2009.

