

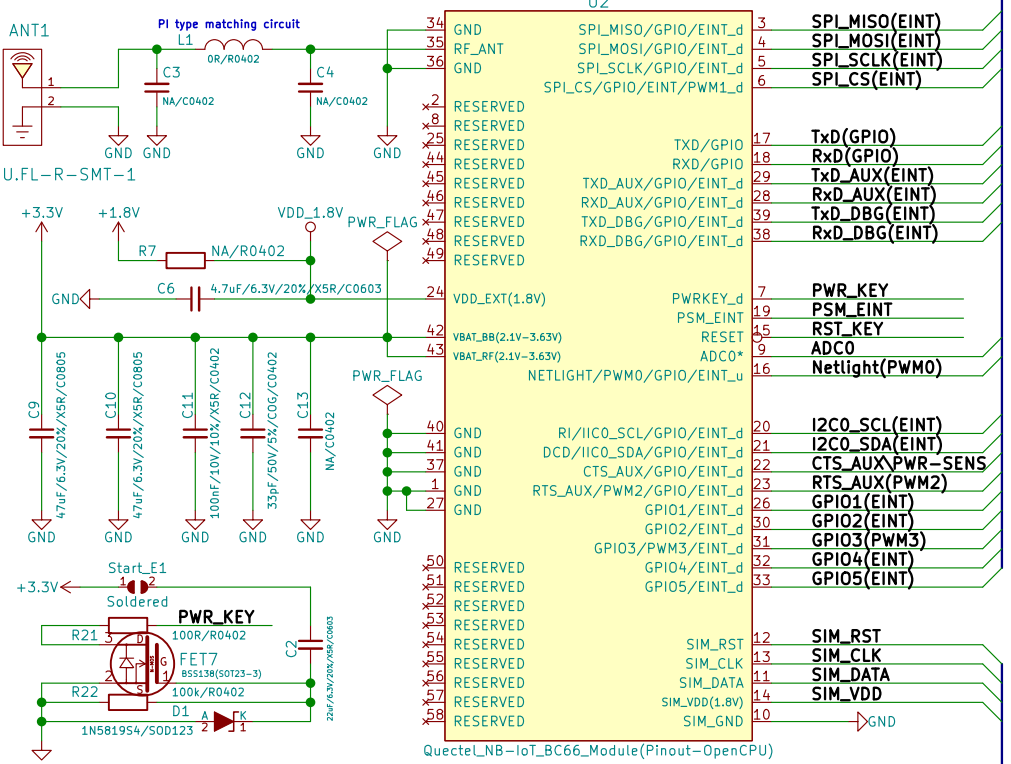
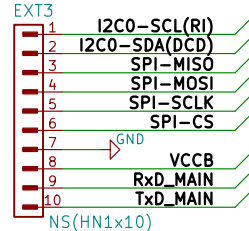
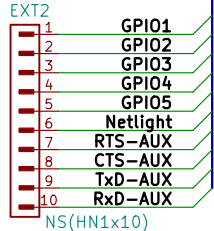
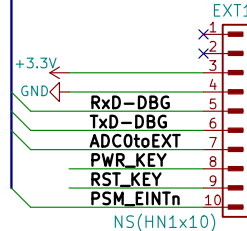
!!!Be wary with ADC0 level!!!  
The maximum input voltage of the 10-bit ADC0 is 1.4V!



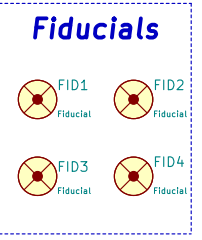
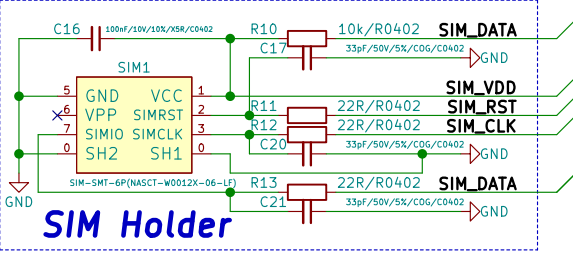
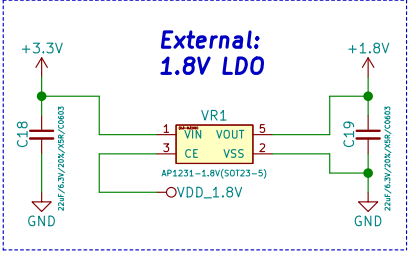
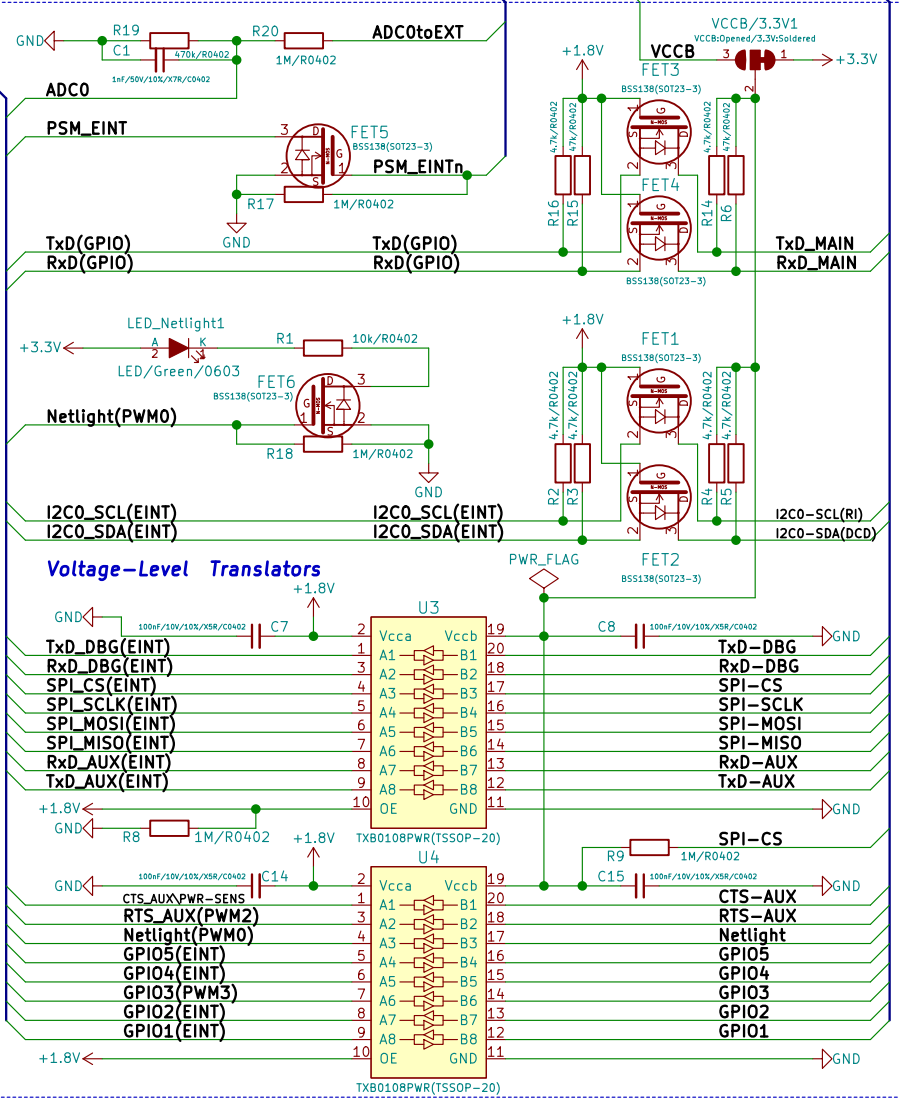
Power Input: +3.3V  
Power Output: No

## Extensions

!!!Attention!!!  
For the signal's Levels!



# NB-IoT-BC66



<https://www.olimex.com>  
OLIMEX LTD.

Sheet: /  
File: NB-IoT-BC66\_Rev\_B.sch

### Title: NB-IoT-BC66

Size: A4 | Date: 2019-10-15  
KiCad E.D.A. kicad 5.1.5-52549c586ubuntu18.04.1

Rev: B  
Id: 1/1