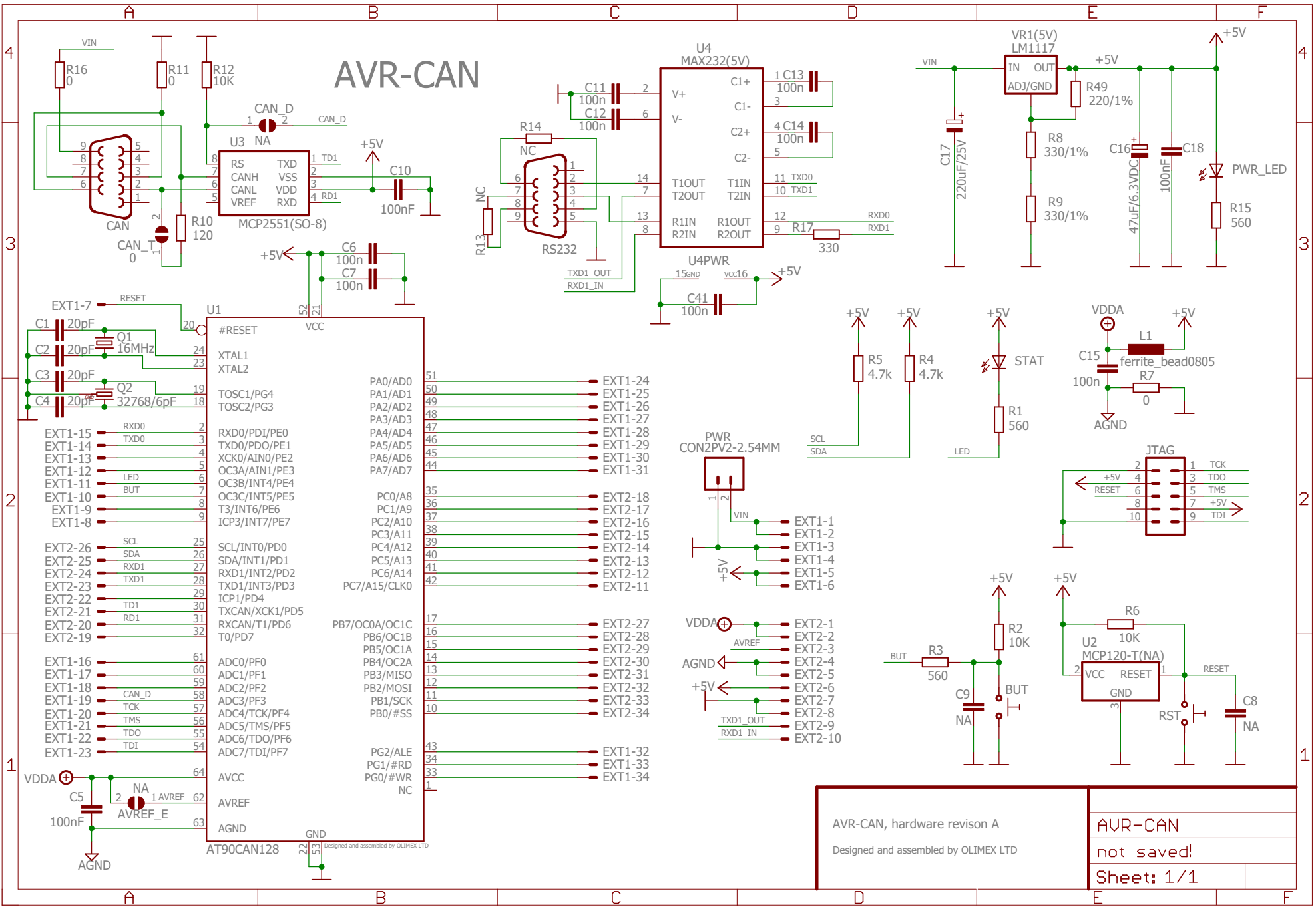


AVR-CAN



AVR-CAN, hardware revision A
 Designed and assembled by OLIMEX LTD

AVR-CAN
 not saved!
 Sheet: 1/1