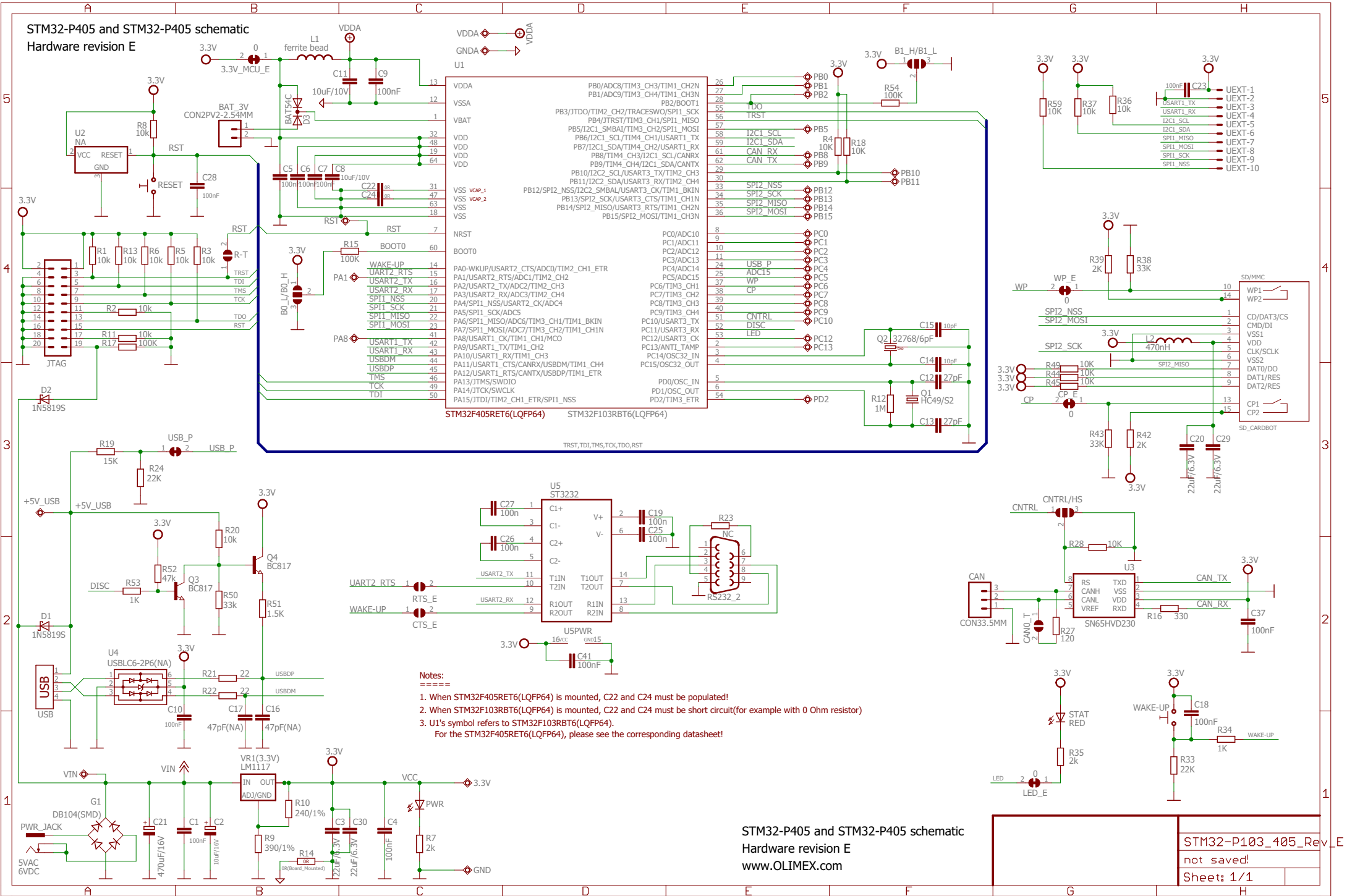


STM32-P405 and STM32-P405 schematic
Hardware revision E



STM32F405RET6(LQFP64) STM32F103RBT6(LQFP64)

Notes:

1. When STM32F405RET6(LQFP64) is mounted, C22 and C24 must be populated!
2. When STM32F103RBT6(LQFP64) is mounted, C22 and C24 must be short circuit(for example with 0 Ohm resistor)
3. U1's symbol refers to STM32F103RBT6(LQFP64). For the STM32F405RET6(LQFP64), please see the corresponding datasheet!

STM32-P405 and STM32-P405 schematic
Hardware revision E
www.OLIMEX.com