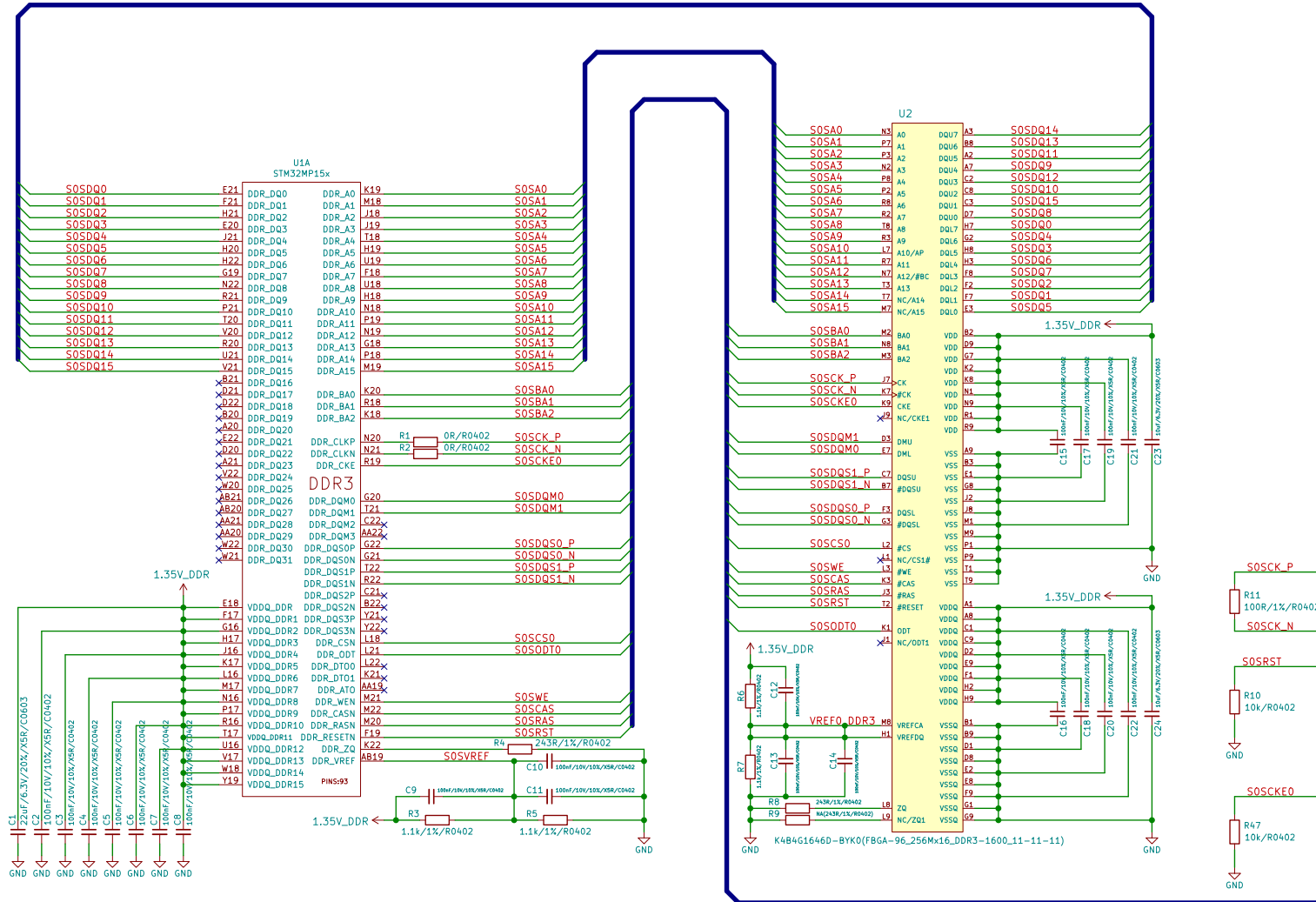


DDR3L:512MBytes



Note:

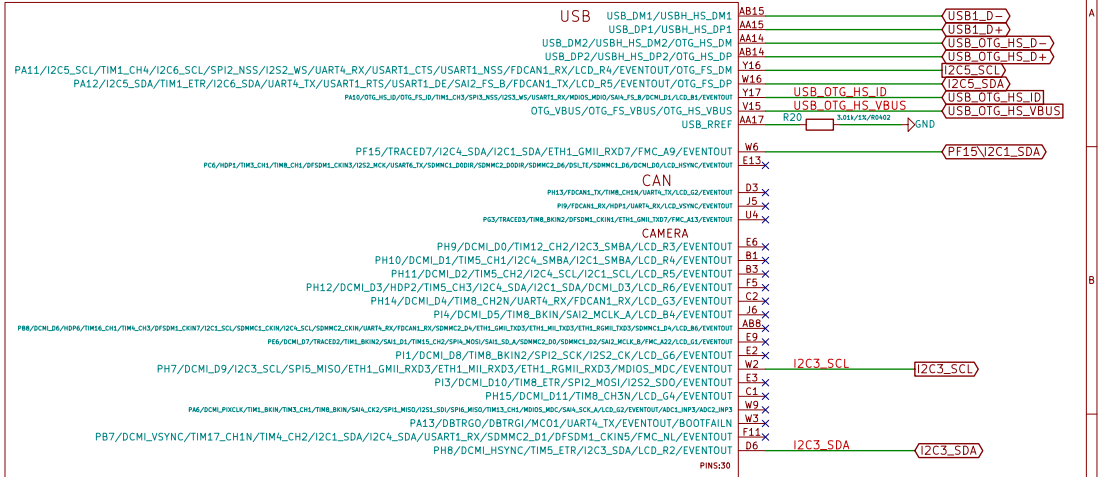
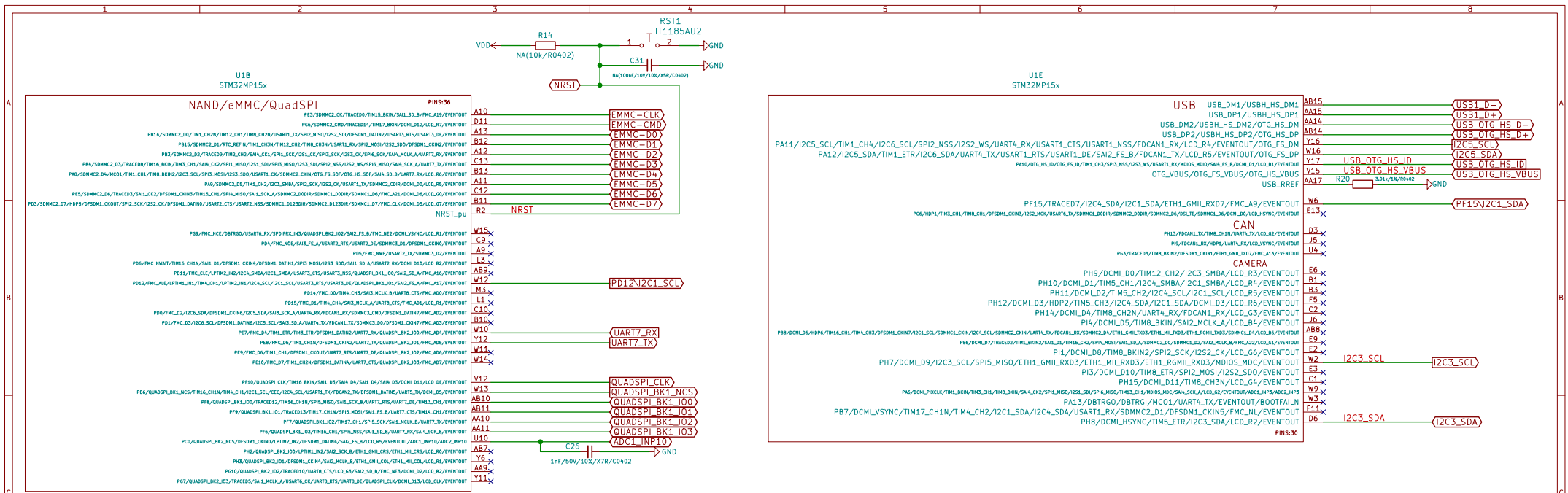
=====

We have used a number of fully compatible, but different DDR3 memories due to supply unavailability. In such cases the memory part name in the schematic might remain outdated. It is recommended to always refer to the exact memory name printed on the component itself.

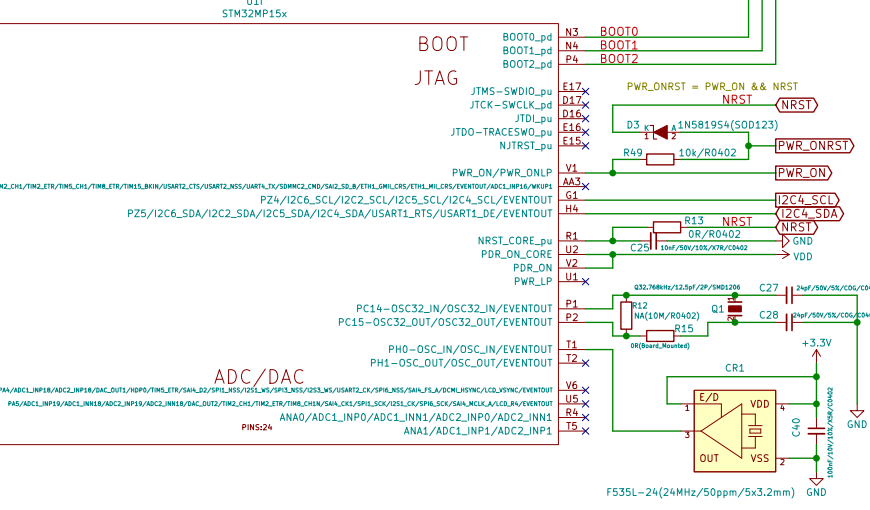
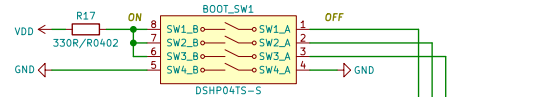
DDR3L Memory

<c> 2022
 OLIMEX LTD, Bulgaria
 Sheet: /
 File: STMP1-SOM_Rev_D.sch
Title: STMP1-SOM

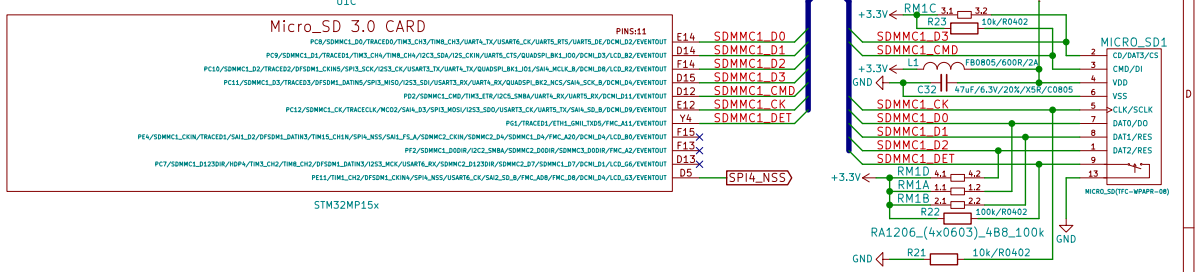
Size: A3	Date: 2022-11-11	Rev: D
KiCad E.D.A. kicad 5.1.4-e60b26684ubuntu18.04.1		Id: 1/5

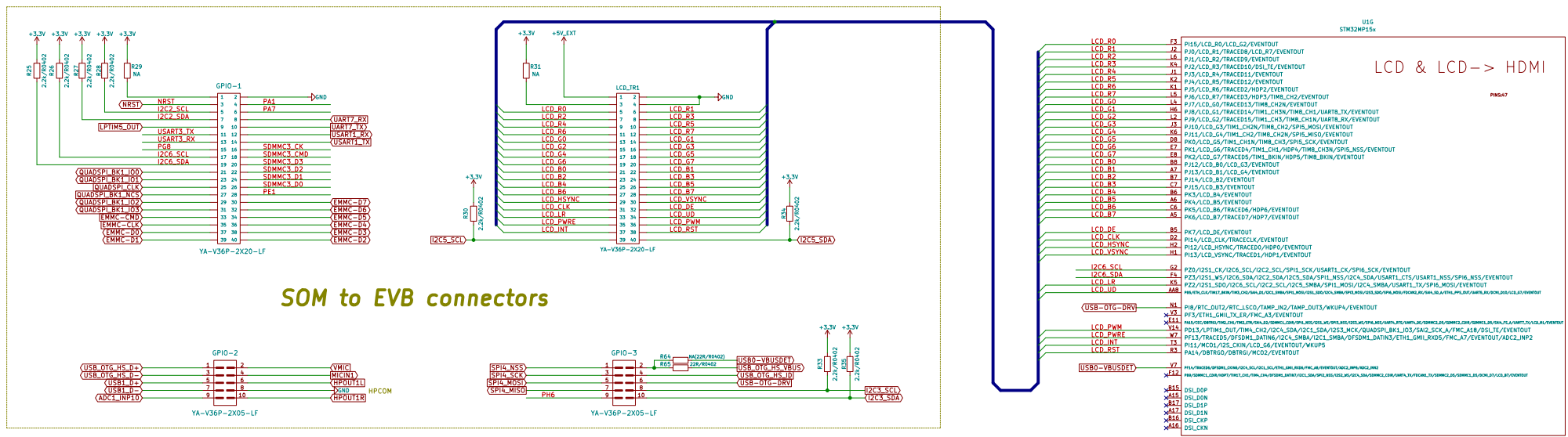


Boot Mode	Boot2	Boot1	Boot0
Reserved	1	0	1
NOR	0	1	1
NAND	0	1	0
eMMC	1	1	0
SD-Card	1	0	1
Forced UART/USB Boot	1	1	0



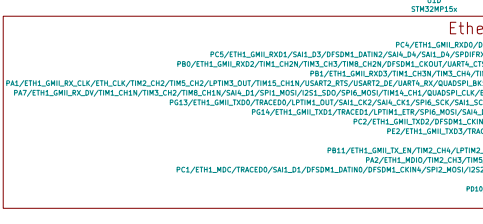
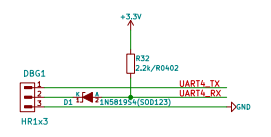
T-Card



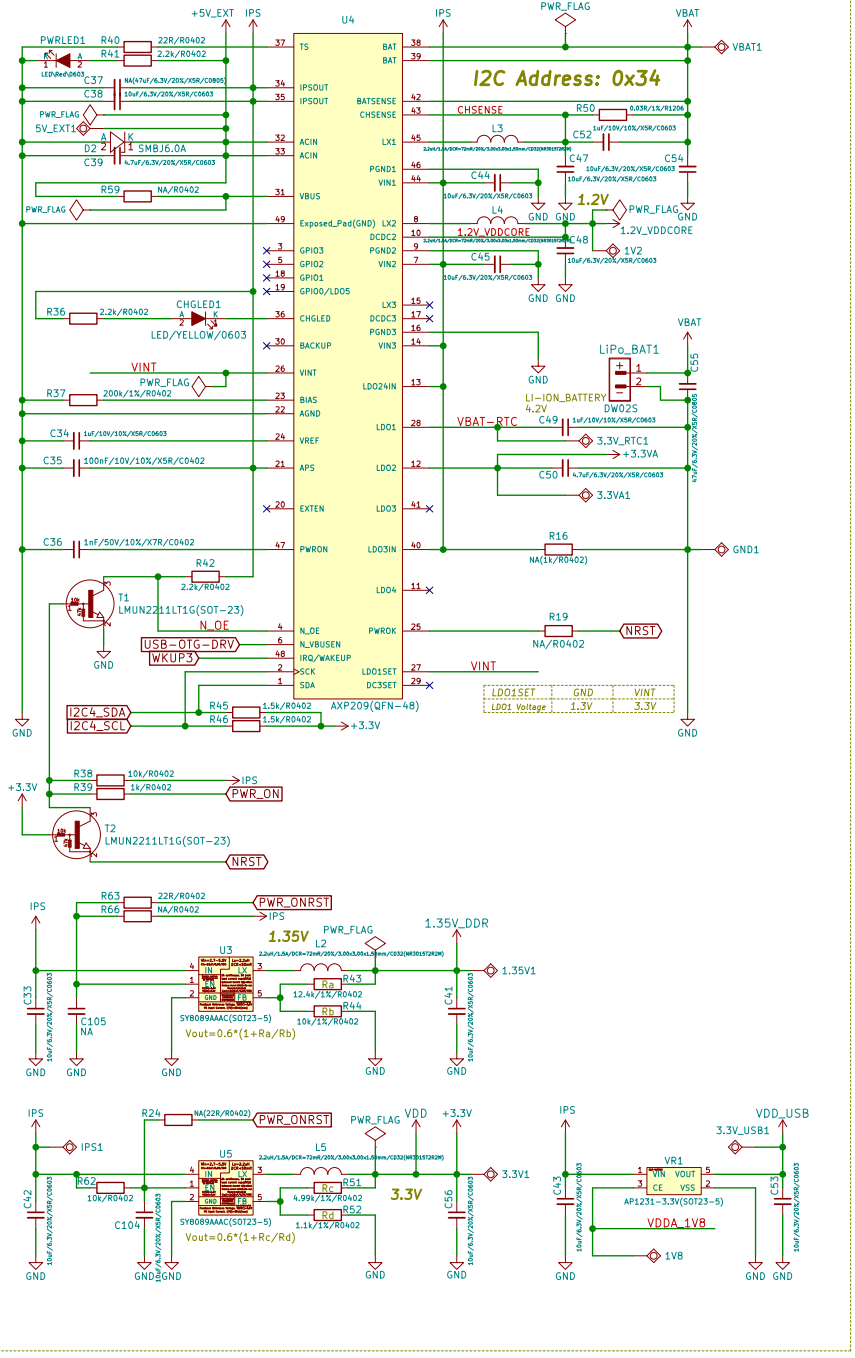


SOM to EVB connectors

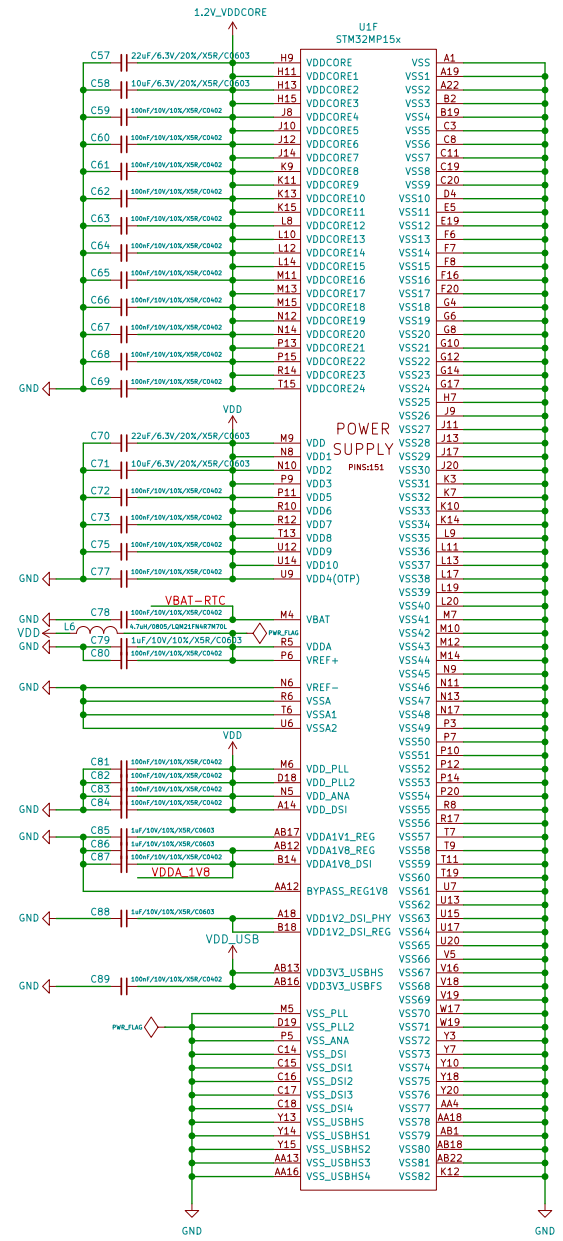
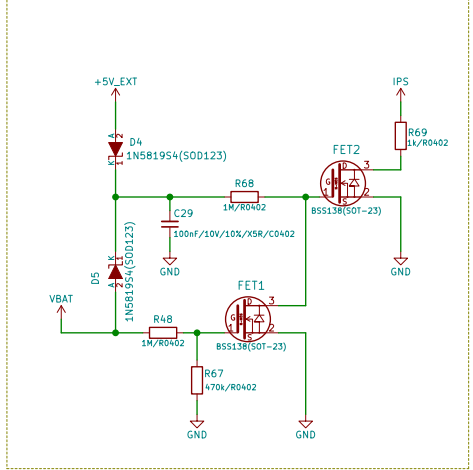
Debug UART



Power Supply



IPS Discharge Circuit

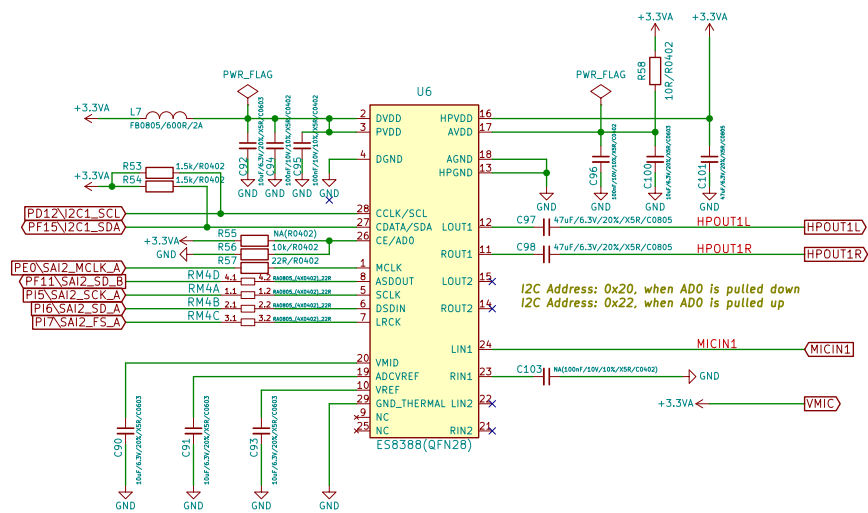


- Fiducials:**
- FID1 Fiducial
 - FID2 Fiducial
 - FID3 Fiducial
 - FID4 Fiducial
 - FID5 Fiducial
 - FID6 Fiducial

© 2022
OLIMEX LTD, Bulgaria
 Sheet: /Power_Supply/
 File: Power_Supply.sch
Title: STMP1-SOM

Size: A3	Date: 2022-11-11	Rev: D
KiCad E.D.A. kicad 5.1.4-e60b26684ubuntu18.04.1		Id: 4/5

Audio



<c> 2022

OLIMEX LTD, Bulgaria

Sheet: /Audio/

File: Audio.sch

Title: STMP1-SOM

Size: A3 Date: 2022-11-11

KiCad E.D.A. kicad 5.1.4-e60b26684ubuntu18.04.1

Rev: D

Id: 5/5