



## DCDC-50-5-12

# User Manual

## olimex.com

Rev.1.0 February 2024

## Table of Contents

What is DCDC-50-5-12.....	3
Order codes for DCDC-50-5-12:.....	4
HARDWARE.....	5
DCDC-50-5-12 layout:.....	6
DCDC-50-5-12 schematics:.....	7
Revision History.....	8

# What is DCDC-50-5-12

DCDC-50-5-12 is high efficiency DC to DC which delivers 5V/1.5A or 12V/1.5A from wide range of input voltage up to 50VDC.

It is suitable to deliver 5V for OlinuXino Linux computers from automotive 12V-24VDC power system.

When the output is 5VDC/1.5A the input power can be in range 8-50VDC.

When the output is 12VDC/1.5A the input power can be in 17-50VDC.

Default power output is 5VDC when 12V\_E1 jumper is opened.

When 12V-E1 jumper is closed (cap on) the output voltage is 12VDC/1.5A.

The dimensions are: 50 x 35 x 15 mm.

The input can be supplied on two connectors:

1. Power barrel jack with 2.2 mm inner positive and outer 5.5 mm which is compatible with [PWR-CABLE](#) and [PWR-CABLE-RA](#)
2. Screw terminal connector with 5 mm step for wires 0.2-2.0mm<sup>2</sup>

The output can be provided on two connectors:

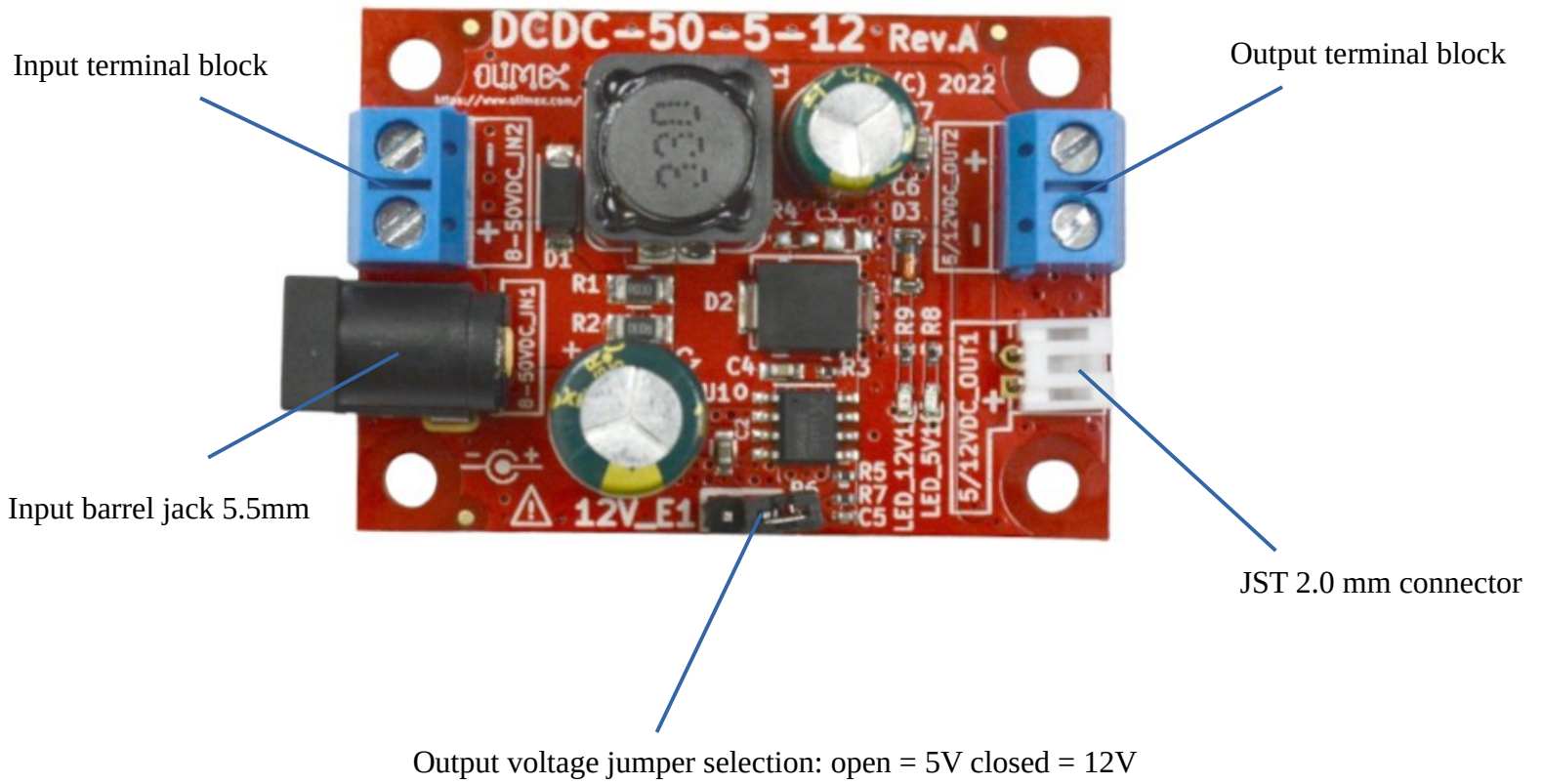
1. Screw terminal connector with 5 mm step for wires 0.2-2.0mm<sup>2</sup>
2. 2.0 mm step JST cable connector which can be used with [BATTERY-CABLE](#) (note colors are red for – and black for +)

## Order codes for DCDC-50-5-12:

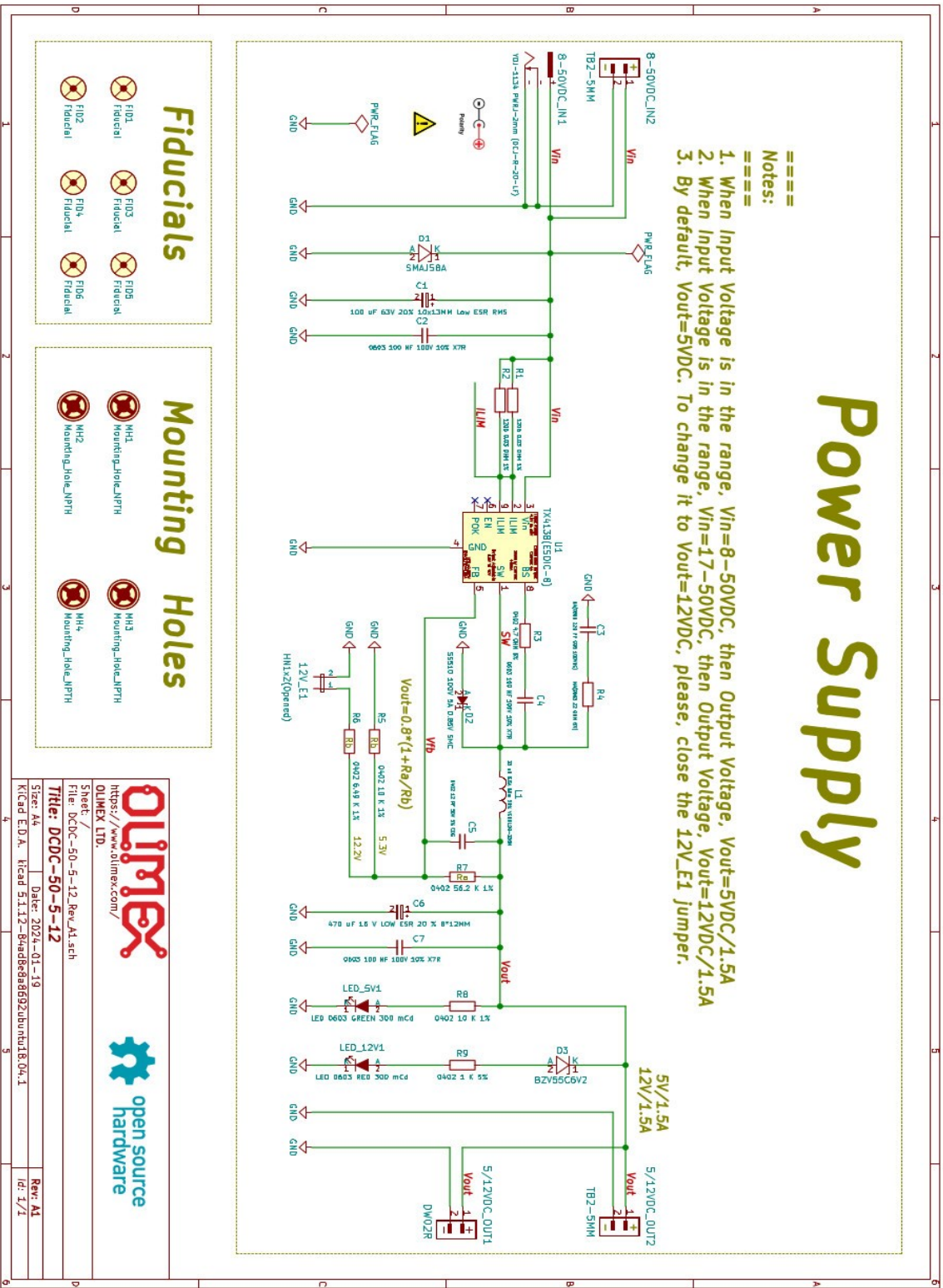
DCDC-50-5-12	industrial grade -40+85C DCDC power supply
BATTERY-CABLE	output power cable
PWR-CABLE	input cable
PWR-CABLE-RA	input cable

# HARDWARE

## DCDC-50-5-12 layout:



# DCDC-50-5-12 schematics:



# Revision History

Revision 1.0 February 2024